

G-GP063

Technical specifications

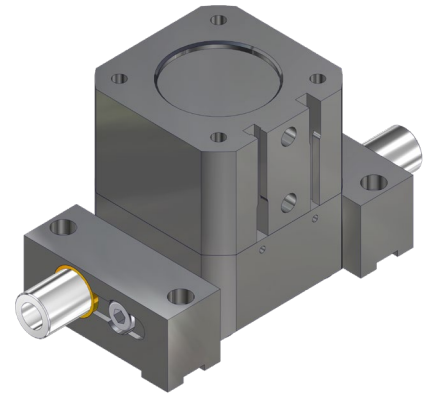
GRIP

Operating mode:

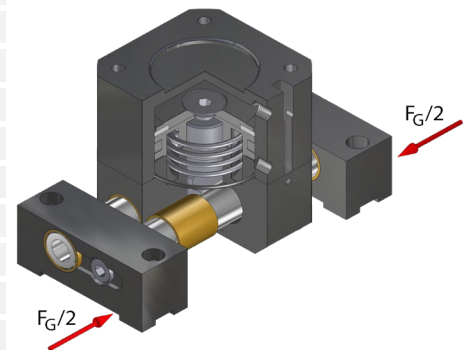
The double-acting cylinder is operated via pneum. compressed air and actuates the power unit. By two angularly arranged springs, which engage in the grooves of the bolts, the vertical is converted into horizontal movement.

Advantages:

- High life span
- Two stroke variants stroke 1 or stroke 2
- Mechanical interface according to DIN EN ISO 9409-12
- Low dead weight
- Optional gripping force safety device "opening" via pressure spring (7)
- Optional gripping force safety device "closing" via pressure spring (7)
- Depending on the mounting, gripping force safety device "closing" or "opening"
- Gripping force safety device
- Piston position detection by means of proximity switch ZG-RSGU01 / 300-M8

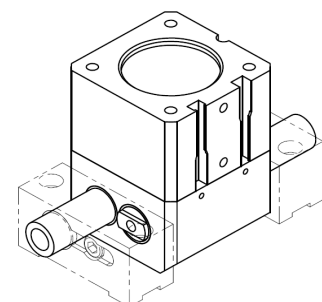


Technical specifications				GP063
Gripping force at 6 bar	FG [N]	stroke 1	opening	1200
			shutting	1000
		stroke 2	opening	600
			shutting	500
Gripping force factor	fg [N/bar]	stroke 1	opening	200
			shutting	166
		stroke 2	opening	100
			shutting	83
Gripping force safety device	FS [N]	stroke 1	min.	500
			max.	760
		Stroke 2	min.	250
			max.	380
System stroke per jaw	h [mm]	stroke 1	4	
		stroke 2	8	
Recommended component weight		mw [kg]	10	
Weight gripper		mg [kg]	0,4	
Air consumption per Hub		V [ccm]	10	
Air connection		Pmax = 10 bar	M5	
Mounting flange		ISO	4 x M5 on TK ø50	
Operating temperature range [°C]			-30 to +120	



Parallel gripper Ø63...

G-GP063-I1-GÖ	ISO-flange, Hub 1 gripping force safety device opening
G-GP063-I1-GS	ISO-flange, Hub 1 gripping force safety device shutting
G-GP063-I1-O	ISO-flange, Hub 1 without gripping force safety device
G-GP063-I2-GÖ	ISO-flange, Hub 2 gripping force safety device opening
G-GP063-I2-GS	ISO-flange, Hub 2 gripping force safety device shutting
G-GP063-I2-O	ISO-flange, Hub 2 without gripping force safety device



G-GP063

Technical specifications

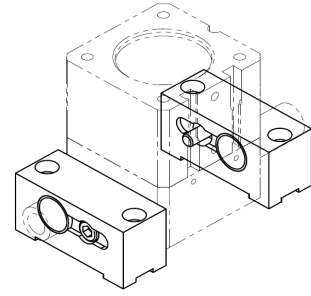


Equipment GP

ZG-GP063-UB	Universal jaw for GP050 pair
ZG-RSGU-01	Signal transmitter with LED
ZG-RSGU01-300-M8	Signal transmitter with LED, with M8 plug

Spare parts GG

EG-GG063-DS	Gasket set for gripper size 063
-------------	---------------------------------



Pos.	Description
1	Cylinder ISO
2	Countersunk screw
3	Cap
4	Magnetic ring
5	Quadrat ring 1
6	Cone
7	Compression spring
8	Power unit 1/2
9	Quadrat ring 2
10	O- Ring
11	Housing
12	Cylinder head screw housing
13	Plain bearing bushing housing
14	Bolt 1/2
15	Universal jaw
16	Plain bearing bushing UB
17	Cylinder head screw UB

