

ZG-AC-IN1-150-M8

Technical specifications

GRIP

Operating mode:

Inductive, contact-free sensor

Norm switching distance

Advantages:

Fast and easy setup

Compact design

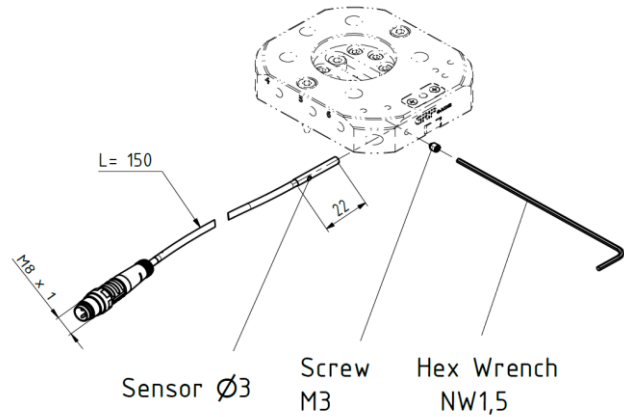
High switching accuracy

High repeatability

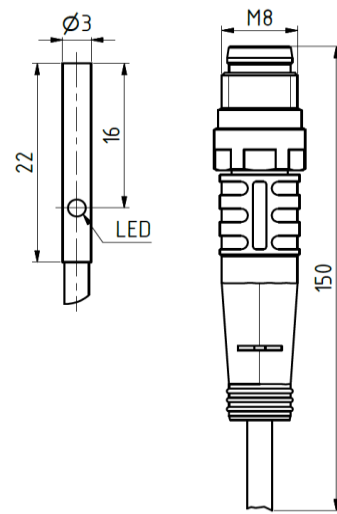
Insensitive to shocks and vibrations

Resistant to dirt and soiling

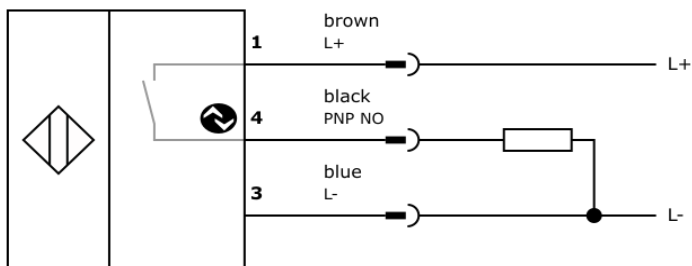
Long lifetime



Technical specifications	AC-IN1
Housing material	V2A (1.4301)
DC 3-Wire	Ø3 x 22 mm
Switching output	PNP-Normally Open
Operating voltage	10 - 30V DC
Rated switching current	100 mA
Voltage drop Du	1,5 V
Temperature range	- 25° C ... +70° C
Short-circuit protection	integrated
Reverse polarity protection	integrated
Protection class DIN EN 60529	IP67
Connection	M8 plug, 3 poles, 150 mm
Torque of fastening screw	0.8 Nm
Weight	15 g
Compliance	RoHS



Wiring diagram



Order-No.	Scope of delivery
ZG-AC-IN1-150-M8	Inductive sensor, M8 plug, 3 poles, cable l = 150 mm
	Locking screw M3
	Hex wrench NW1,5

ZG-AC-IN2-300-M8

Technical specifications

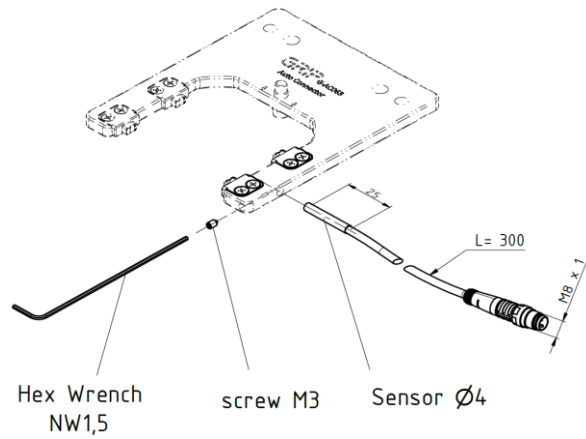


Operating mode:

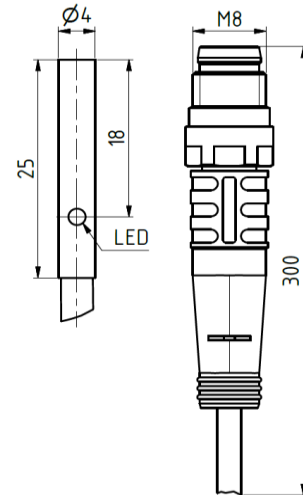
- Inductive, contact-free sensor
- Norm switching distance
- Sensor screw **ZG-AC063-IN2-SF1** is required

Advantages:

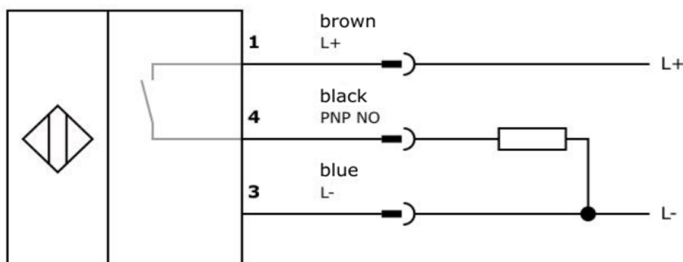
- Fast and easy setup
- Compact design
- High switching accuracy
- High repeatability
- Insensitive to shocks and vibrations
- Resistant to dirt and soiling
- Long lifetime



Technical specifications	AC-IN2
Housing material	nickel silver
Sensor dimensions	Ø4 x 25 mm
Switching output	PNP-closing contact
Operating voltage UB	10 - 30V DC
Rated switching current	200 mA
Voltage drop Du	2 V
Temperature range	- 25° C ... +70° C
Short-circuit protection	integrated
Reverse polarity protection	integrated
Protection class DIN 60 5029	IP67
Connection	M8 plug, 3 poles, 300 mm
Torque of fastening screw	0.8 Nm
Weight	11 g
Compliancy	RoHS / Reach



Wiring diagram



Order-No.	Scope of delivery
ZG-AC-IN2-300-M8	Inductive sensor, M8 plug, 3 poles, cable l = 300 mm
	Locking screw M3
	Hex wrench NW1,5
	Sensor screw M2
ZG-AC063-IN2-SF1	Hex wrench NW1,5
	Positioning templates