

# ZG-AC-IN1-150-M8

Technical specifications

# GRIP

### Operating mode:

Inductive, contact-free sensor

Norm switching distance

### Advantages:

Fast and easy setup

Compact design

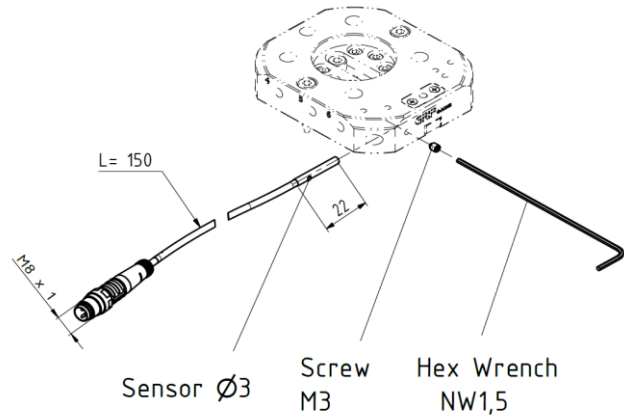
High switching accuracy

High repeatability

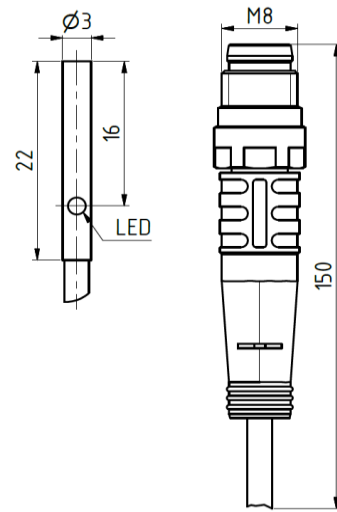
Insensitive to shocks and vibrations

Resistant to dirt and soiling

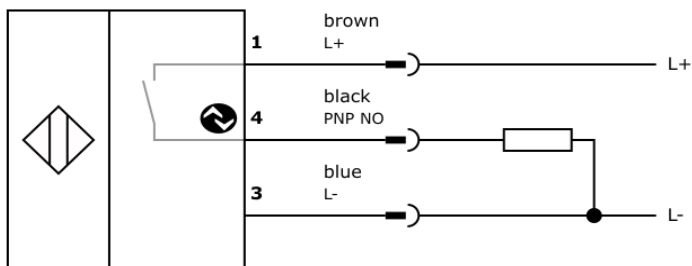
Long lifetime



| Technical specifications      | AC-IN1                   |
|-------------------------------|--------------------------|
| Housing material              | V2A (1.4301)             |
| DC 3-Wire                     | Ø3 x 22 mm               |
| Switching output              | PNP-Normally Open        |
| Operating voltage             | 10 - 30V DC              |
| Rated switching current       | 100 mA                   |
| Voltage drop Du               | 1,5 V                    |
| Temperature range             | - 25° C ... +70° C       |
| Short-circuit protection      | integrated               |
| Reverse polarity protection   | integrated               |
| Protection class DIN EN 60529 | IP67                     |
| Connection                    | M8 plug, 3 poles, 150 mm |
| Torque of fastening screw     | 0.8 Nm                   |
| Weight                        | 15 g                     |
| Compliance                    | RoHS                     |



### Wiring diagram



| Order-No.        | Scope of delivery                                    |
|------------------|--|
| ZG-AC-IN1-150-M8 | Inductive sensor, M8 plug, 3 poles, cable l = 150 mm |
|                  | Locking screw M3                                     |
|                  | Hex wrench NW1,5                                     |

# ZG-AC-IN2-300-M8

Technical specifications

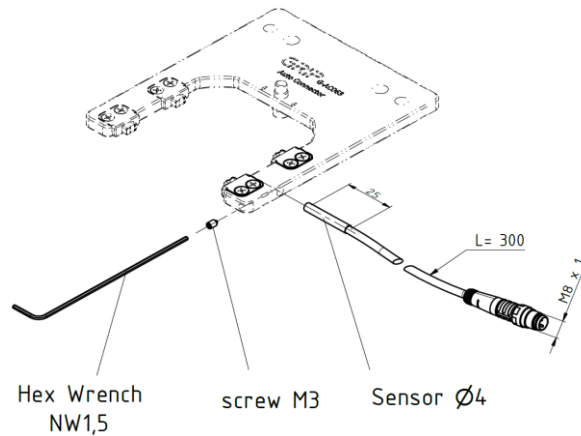
# GRIP

### Operating mode:

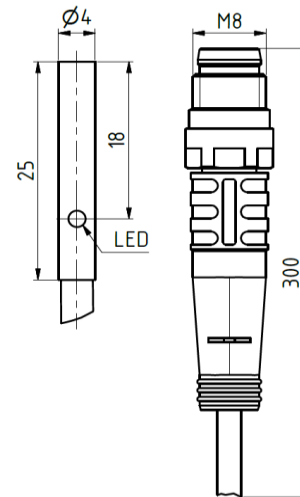
- Inductive, contact-free sensor
- Norm switching distance
- Sensor screw **ZG-AC063-IN2-SF1** is required

### Advantages:

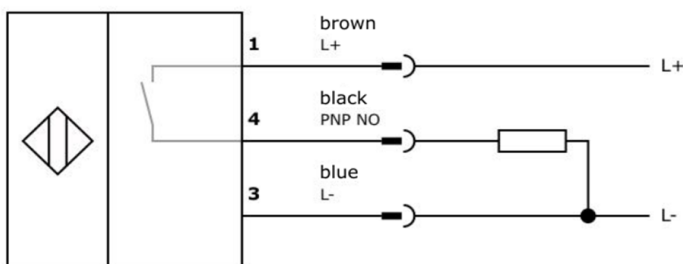
- Fast and easy setup
- Compact design
- High switching accuracy
- High repeatability
- Insensitive to shocks and vibrations
- Resistant to dirt and soiling
- Long lifetime



| Technical specifications     | AC-IN2                   |
|------------------------------|--------------------------|
| Housing material             | nickel silver            |
| Sensor dimensions            | Ø4 x 25 mm               |
| Switching output             | PNP-closing contact      |
| Operating voltage UB         | 10 - 30V DC              |
| Rated switching current      | 200 mA                   |
| Voltage drop Du              | 2 V                      |
| Temperature range            | - 25° C ... +70° C       |
| Short-circuit protection     | integrated               |
| Reverse polarity protection  | integrated               |
| Protection class DIN 60 5029 | IP67                     |
| Connection                   | M8 plug, 3 poles, 300 mm |
| Torque of fastening screw    | 0.8 Nm                   |
| Weight                       | 11 g                     |
| Compliance                   | RoHS / Reach             |



### Wiring diagram



| Order-No.        | Scope of delivery                                    |
|------------------|--|
| ZG-AC-IN2-300-M8 | Inductive sensor, M8 plug, 3 poles, cable l = 300 mm |
|                  | Locking screw M3                                     |
|                  | Hex wrench NW1,5                                     |
| ZG-AC063-IN2-SF1 | Sensor screw M2                                      |
|                  | Hex wrench NW1,5                                     |
|                  | Positioning templates                                |