

# GRIP Y-Adapter

Technical specifications

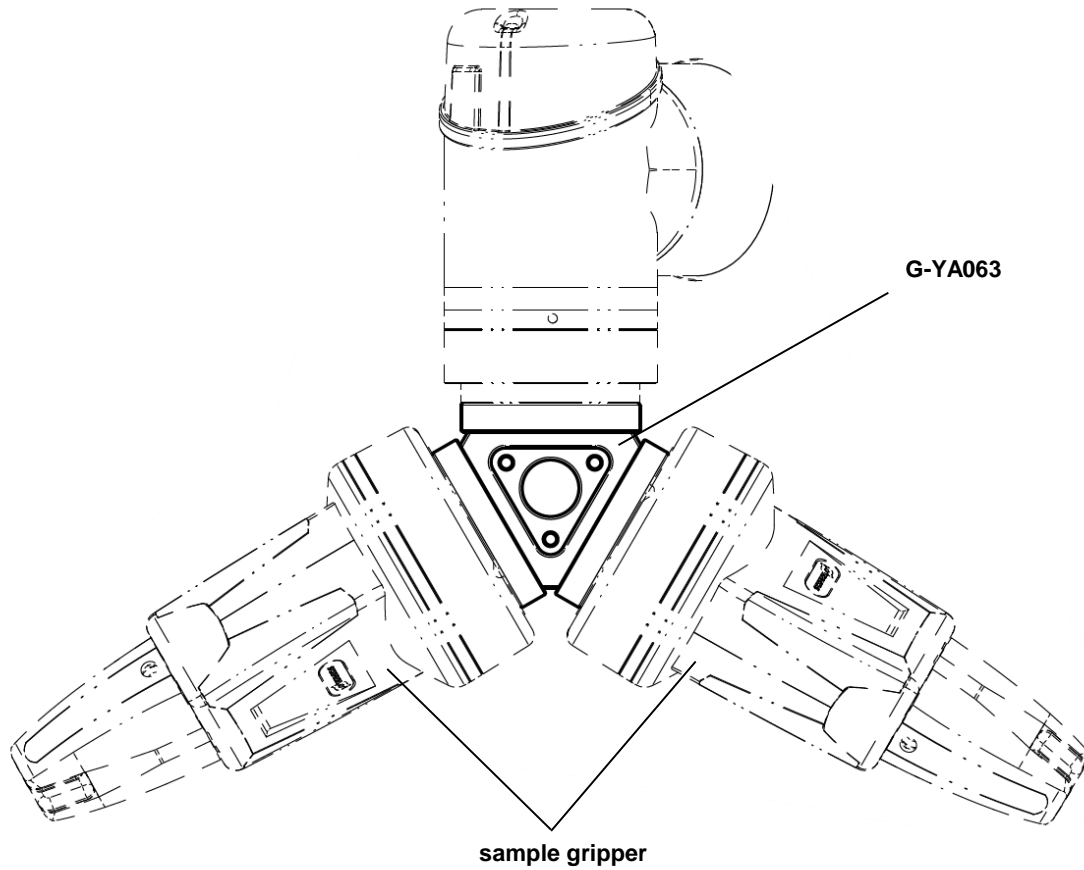
# GRIP

## GRIP Y-Adapter

The **GRIP Y-Adapter** allows the installation of two tools, for example, two grippers on one robot. With a pinch circle diameter of 50 mm, it's **suitable for most robots**.

By using the GRIP Y-Adapter, your robots cycle time and flexibility will be optimized.

The **GRIP Y-Adapter** is available in four versions: **G-YA063-S1; G-YA063-S2; G-YA063-S3; G-YA063-S4**



# G-YA063

Technical specifications

# GRIP

### Operating Mode:

The Y-Adapter connects two tools with one robot flange.

### Advantages:

Increase of robot flexibility

Optimized cycle time

Interface according to DIN EN ISO 9409-1

High-strength aluminum, black and green anodized

Compatible with every 50 mm pitch circle diameter robot type



### Technical specifications

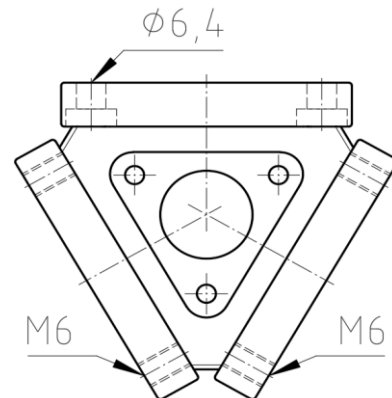
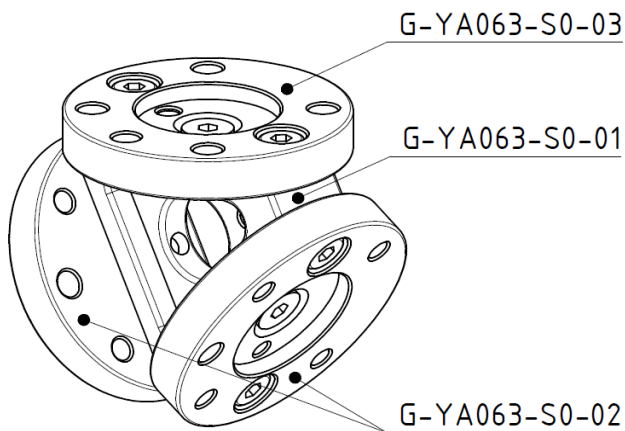
Technical specifications	YA063
Basic material	aluminum, anodized
Flange diameter [mm]	63
Pitch circle diameter [mm]	50
Repeat accuracy +/- [mm]	0,02
Mass [kg]	0,34
Recommended load [kg]	24
Operating temperature range [°C]	-30 to +120

### G-YA063-S1

1 x G-YA063-S0-01

2 x G-YA063-S0-02

1 x G-YA063-S0-03



### Y-Adapter

G-YA063-S1 Y-Adapter set 1

### Spare Parts

G-YA063-S0-01	Y-Assembly
G-YA063-S0-02	Y-Flange 063 with M6 thread
G-YA063-S0-03	Y-Flange 063 with D6,4 counter bore

### Accessories

G-ZS063 Centering disk for MGW063

