

# ZS Centering Disc

Technical specifications

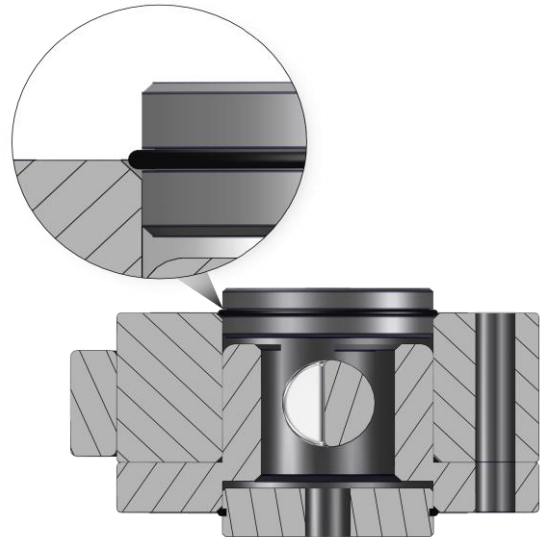
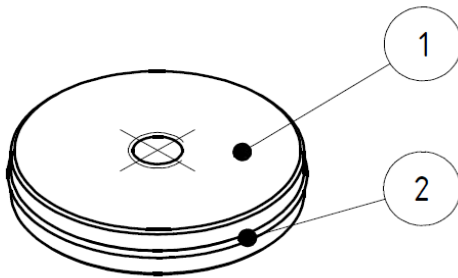
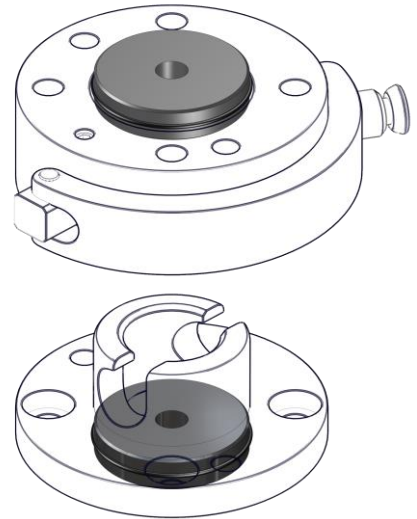


**Operating Mode:**

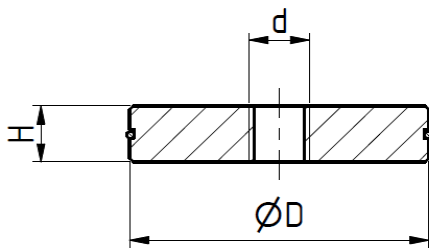
The use of a centering disc ensures that the upper assembly and/or lower assembly of the Connector are properly centered

**Advantages:**

- Increases the centering accuracy
- Can be added as an option at any time
- Cost-effective
- Assembly possible in upper assembly (robot-side) and lower assembly (tool-side)
- Suitable for Connectors **SHS, SHW, MGW** and **SWS**



Pos.	Description
1	Centering disc
2	O-Ring



Technical specifications	Size						
	050	063	080	100	125	160	
Order number	G-ZS050-1	G-ZS063-1	G-ZS080-1	G-ZS100-1	G-ZS125-1	G-ZS160-1	
Material	aluminum, natural anodized / O-Ring NBR						
Diameter [mm]	D	25 g7	31,5 g7	40 g7	50 g7	63 g7	80 g7
Height [mm]	H	7,8					
Threaded bore	d	M8					
Mass [g]		10	16	26	42	67	109
Operating temperature range		-30 to +120					