

G-GP050

Technical specifications

GRIP

Operating mode:

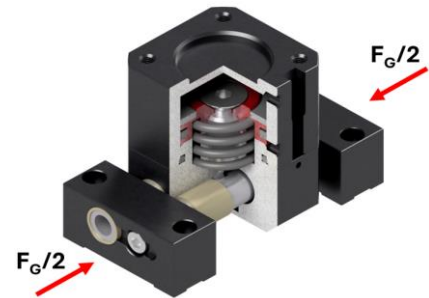
The double-acting cylinder is operated via pneum. compressed air and actuates the power unit. By two angularly arranged springs, which engage in the grooves of the bolts, the vertical is converted into horizontal movement.

Advantages:

- High life span
- Two stroke variants stroke 1 or stroke 2
- Mechanical interface according to DIN EN ISO 9409-12
- Low dead weight
- Optional gripping force safety device "opening" via pressure spring (7)
- Optional gripping force safety device "closing" via pressure spring (7)
- Depending on the mounting, gripping force safety device "closing" or "opening"
- Universal jaws (15) for easy mounting of specific fingers
- Piston position detection by means of proximity switch ZG-RSGU01 / 300-M8

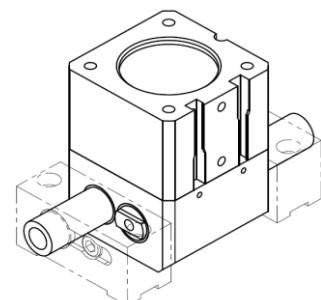


Technical specifications				GP050
Gripping force at 6 bar	F_G [N]	stroke 1	opening	650
			shutting	560
		stroke 2	opening	325
			shutting	280
Gripping force factor	f_g [N/bar]	stroke 1	opening	108
			shutting	93
		stroke 2	opening	54
			shutting	46,5
Gripping force safety device	F_S [N]	stroke 1	min.	340
			max.	480
		Stroke 2	min.	170
			max.	240
System stroke per jaw	h [mm]	stroke 1		3
		stroke 2		6
Recommended component weight		m_w [kg]		5
Weight gripper		m_g [kg]		0,3
Operating pressure (with gripping force safety device)				5 ...6 bar
Operating pressure (without gripping force safety device)				2 ...6 bar
Air consumption per stroke		V [ccm]		4,2
Air connection		$P_{max} = 10$ bar		M5
Mounting flange		ISO		4 x M4 on $\varnothing 40$
Operating temperature range [°C]				-30 to +120



Parallel gripper Ø50...

G-GP050-I1-GÖ	ISO-flange, stroke 1 gripping force safety device opening
G-GP050-I1-GS	ISO-flange, stroke 1 gripping force safety device shutting
G-GP050-I1-O	ISO-flange, stroke 1 without gripping force safety device
G-GP050-I2-GÖ	ISO-flange, stroke 2 gripping force safety device opening
G-GP050-I2-GS	ISO-flange, stroke 2 gripping force safety device shutting
G-GP050-I2-O	ISO-flange, stroke 2 without gripping force safety device



G-GP050

Technical specifications

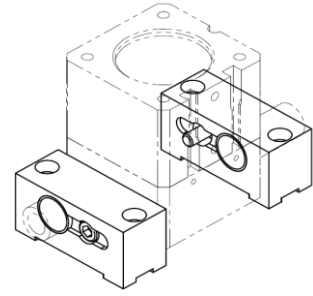


Equipment GP

ZG-GP050-UB	Universal jaw for GP050 pair
ZG-RSGU-01	Signal transmitter with LED
ZG-RSGU01-300-M8	Signal transmitter with LED, with M8 plug

Spare parts GG

EG-GG050-DS	Gasket set for gripper size 050
-------------	---------------------------------



Pos.	Description
1	Cylinder ISO
4	Magnetic ring
6	Cone
7	Compression spring
8	Power unit 1/2
11	Housing
13	Plain bearing bushing housing
14	Bolt 1/2
15	Universal jaw
16	Plain bearing bushing UB
17	Cylinder head screw UB

