

G-MGW050

Technical specifications

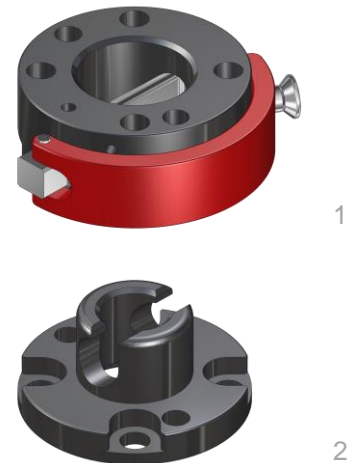


Operating mode:

By rotating the semi-cylindrical bolt by 180°, the upper assembly (1) and the lower assembly (2) are braced in a form-closed manner

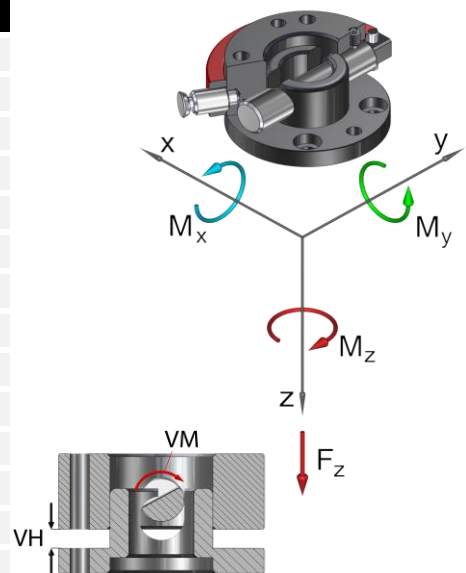
Advantages:

- Withstands high loads with low dead weight
- Can be released and closed with one handle
- High repeat accuracy +/- 0.02 mm
- Resilient locking pin secures hand lever against independent releasing
- Holds up to 5,000 changing cycles
- During locking, the lower assembly is pulled around the locking stroke
- Interface according to DIN EN ISO 9409-1



Technical specifications		MGW050		
Basic material		Al. anod.	VA	St, nitrated
External diameter x Height [mm]		50 x 30		
Pitch circle diameter [mm]		40		
Repeat accuracy +/- [mm]		0,02		
Tension Fz [N]		700	1.100	1.320
Compression -Fz [kN]		48	72	96
Torsion Mz [Nm]		40	60	78
Bending Mx, My [Nm]		50	70	80
Mass [kg]	upper assembly	0,14	0,28	
	lower assembly	0,05	0,13	
Recommended load [kg] *		10	14	16
Locking torque VM [Nm]		1 - 4	1 - 5	2 - 6
Locking stroke VH [mm]		0 - 5		
Operating temperature range [°C]		-30 to +120		

* This guideline applies to the following assumptions:
Acceleration: 10 m/s², gravity distance: 100 mm, double safety



MGW Connector Ø50, drilled acc. to ISO...

G-MGW050-2O	upper assembly, Al, anodized
G-MGW050-2O-N	upper assembly, steel, nitrated
G-MGW050-2O-V	upper assembly, VA
G-MGW050-2U	lower assembly, Al, anodized
G-MGW050-2U-N	lower assembly, steel, nitrated
G-MGW050-2U-V	lower assembly, VA

Replacement semi-cylindrical bolt...

EG-MGW050-HB	for MGW050
EG-MGW050-HB-VA	for MGW050, out off VA

Replacement hand lever

EG-MGW050-HH	for MGW050
--------------	------------

Pos.	Description
1	Upper assembly
2	Semi-cylindrical bolt
3	Hand lever
4	Index pin
5	Cylinder bolt
6	Spring locking pin
7	Setscrew
8	Lower assembly

