

G-SWS050

Technical specifications

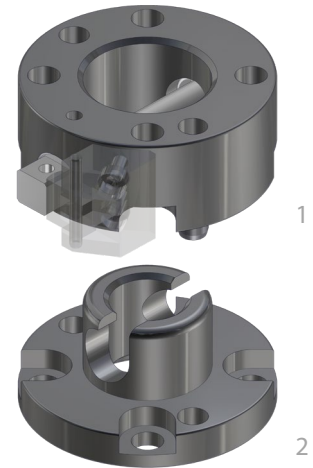


Operating mode:

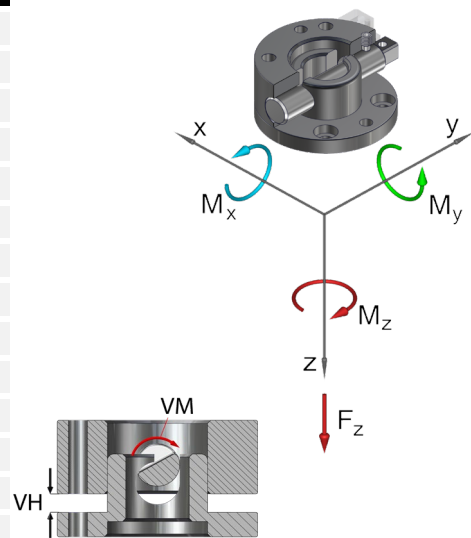
By rotating the semi-cylindrical bolt by 180° the upper assembly (1) and the lower assembly (2) are braced in a form-closed manner

Advantages:

- Cost-effective alternative to the MGW
- Without hand lever, thereby low interference contours
- High repeat accuracy +/- 0,02 mm
- Holds up to 10,000 changing cycles
- During locking, the lower assembly is pulled around the locking stroke
- Interface according to DIN EN ISO 9409-1



Technical specifications		SWS050	
Basic material		steel	steel, nitrated
External diameter x Height [mm]		50 x 30	
Pitch circle diameter [mm]		40	
Repeat accuracy +/- [mm]		0,02	
Tension Fz [N]		700	1.320
Compression -Fz [kN]		72	96
Torsion Mz [Nm]		60	78
Bending Mx, My [Nm]		70	80
Mass [kg]	upper assembly	0,28	
	lower assembly	0,13	
Recommended load [kg] *		14	16
Locking moment VM [Nm]		2 - 6	
Locking stroke VH [mm]		0 - 5	
Operating temperature range [°C]		-30 to +120	
* This guideline applies to the following assumptions: Acceleration: 10m/s², gravity distance: 100 mm, double safety			



Quick change system Ø50, drilled according to ISO...

G-SWS050-2O	upper assembly, steel
G-SWS050-2O-N	upper assembly, steel, nitrated
G-MGW050-2U-N	lower assembly, steel, nitrated

Replacement semi-cylindrical bolt safety...

EG-SWS050-VS2	for SWS050
---------------	------------

Square socket key...

ZG-VKS050-SW08	for SW 08
----------------	-----------

Pos.	Description
1	Upper assembly
2	Semi-cylindrical bolt
3	Setscrew
4	Index pin
5	Anti-rotation lock (opt.)
9	Lower assembly

