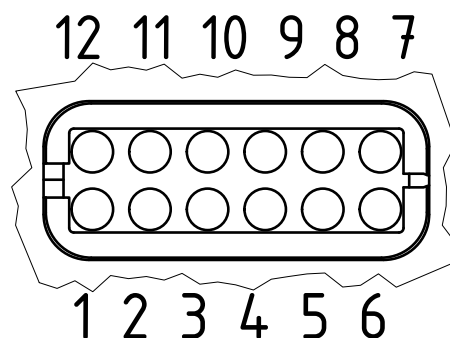


Z
Contact strip
FEB12

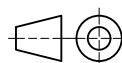


Datum 14.06.23

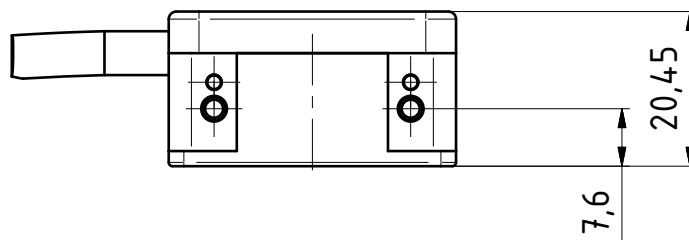
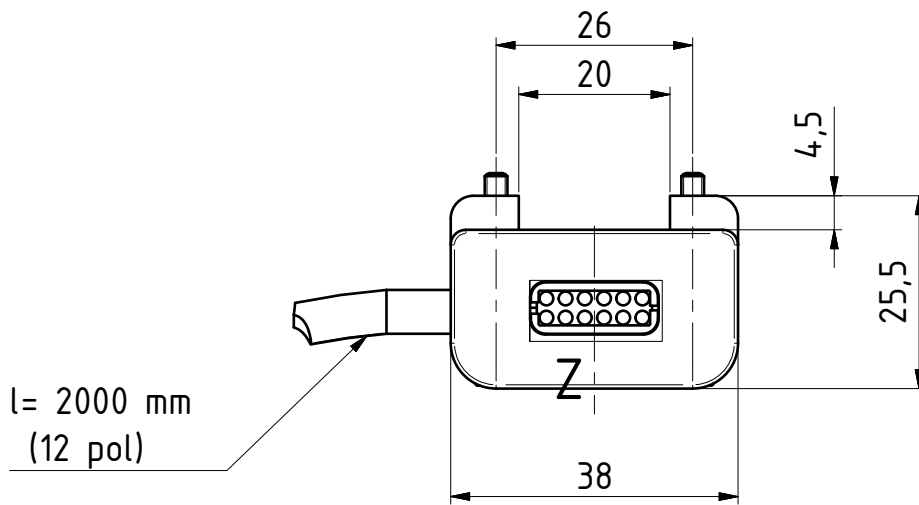
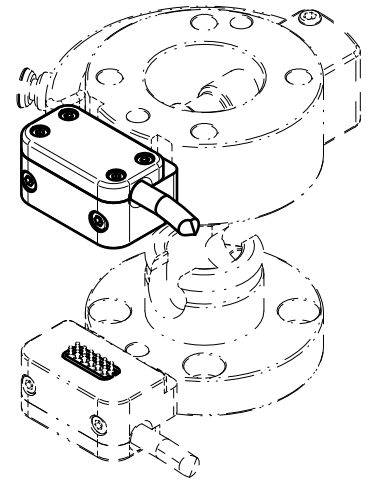
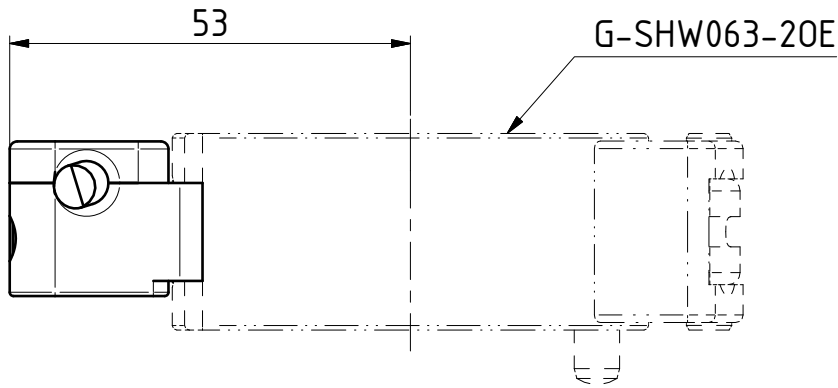
Maßstab 1 : 1

Zeichnungsnummer

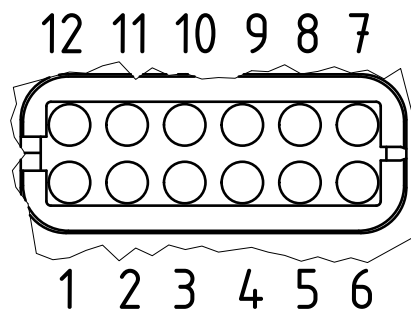
G-SEK100-0-1FE12



GRIP
GRIP GmbH Handhabungstechnik



Z
Contact strip
FEB12



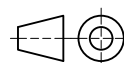
assignment	
1	white
2	brown
3	green
4	yellow
5	grey
6	pink
7	blue
8	red
9	black
10	violett
11	grey/pink
12	blue/red

Datum 14.06.23

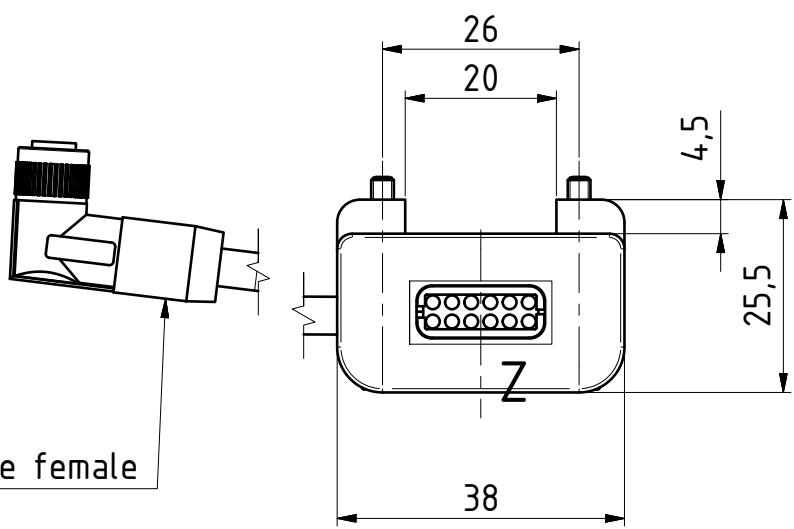
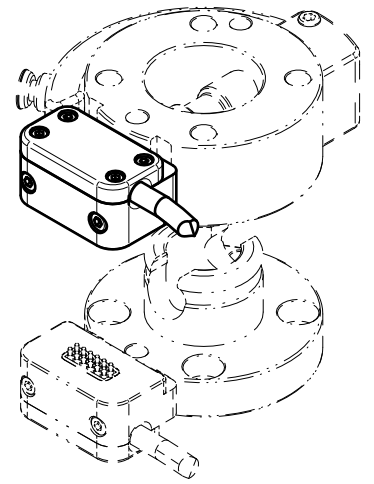
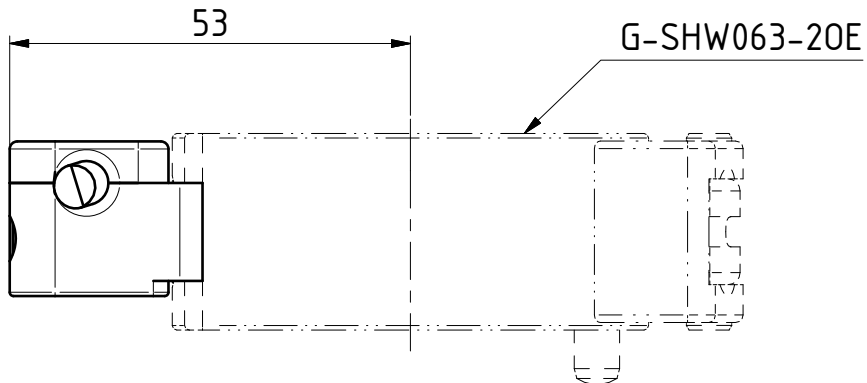
Maßstab 1 : 1

Zeichnungsnummer

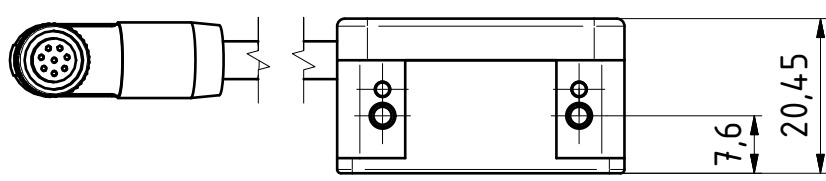
G-SEK100-0-1FE12-20000E



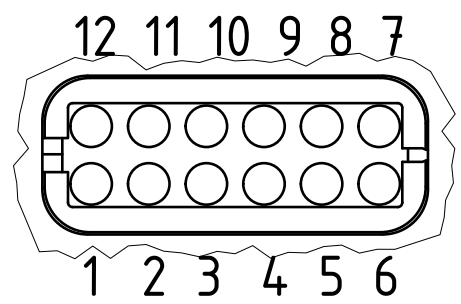
GRIP
GRIP GmbH Handhabungstechnik



M8 8-pole female



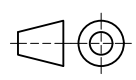
Z
Contact strip
FEB12



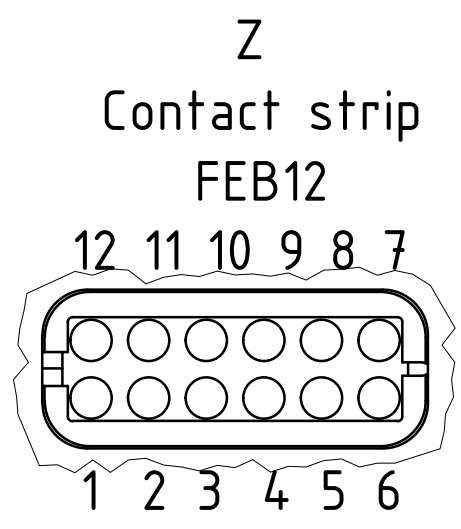
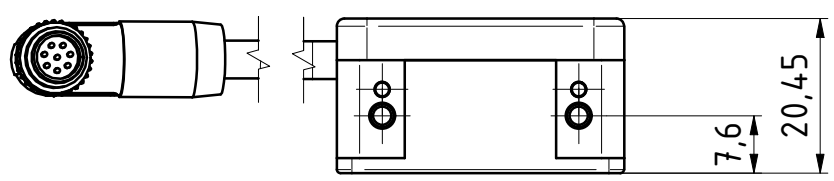
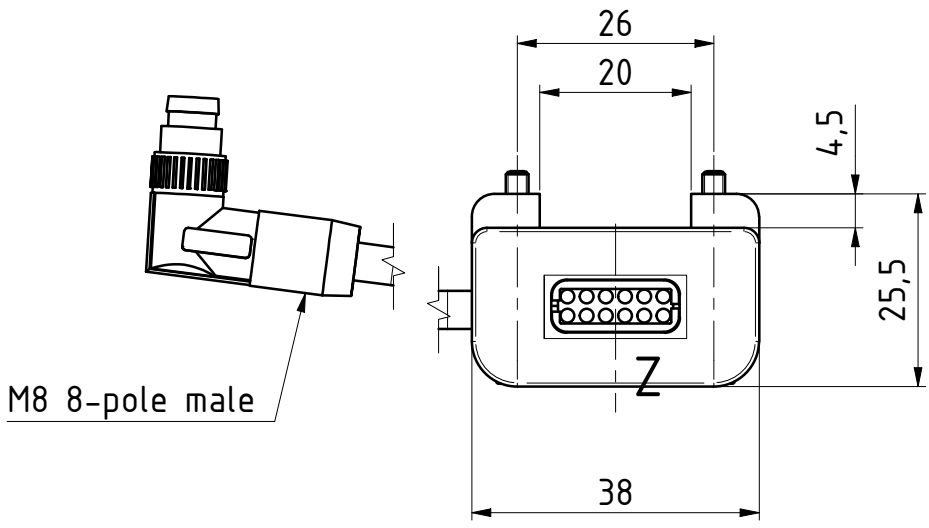
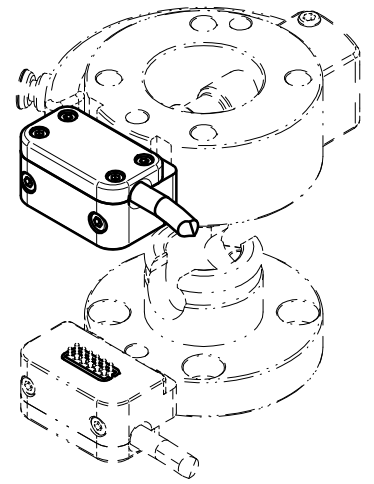
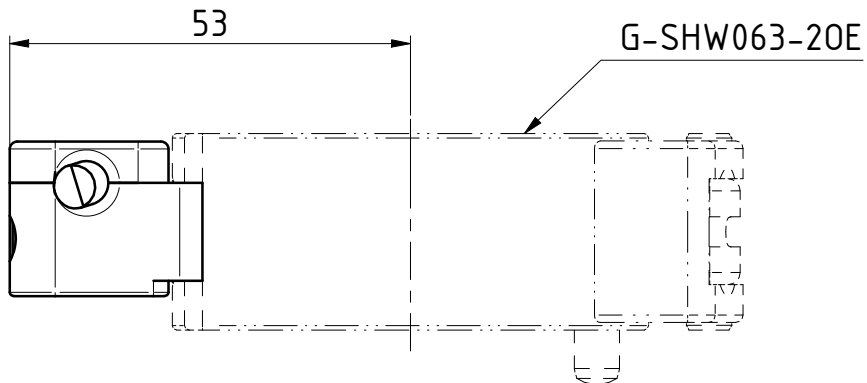
assignment		
FEB12	colour	M8 fem.
1	white	1
2	brown	2
3	green	3
4	yellow	4
5	grey	5
6	pink	6
7	blue	7
8	red	8
9	---	---
10	---	---
11	---	---
12	---	---

Datum 14.06.23 Maßstab 1 : 1

Zeichnungsnummer
G-SEK100-0-1FE12-300-M8



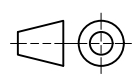
GRIP
GRIP GmbH Handhabungstechnik

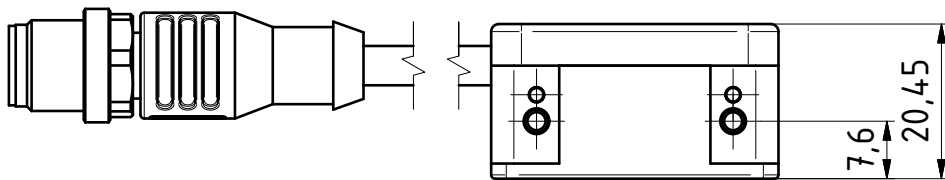
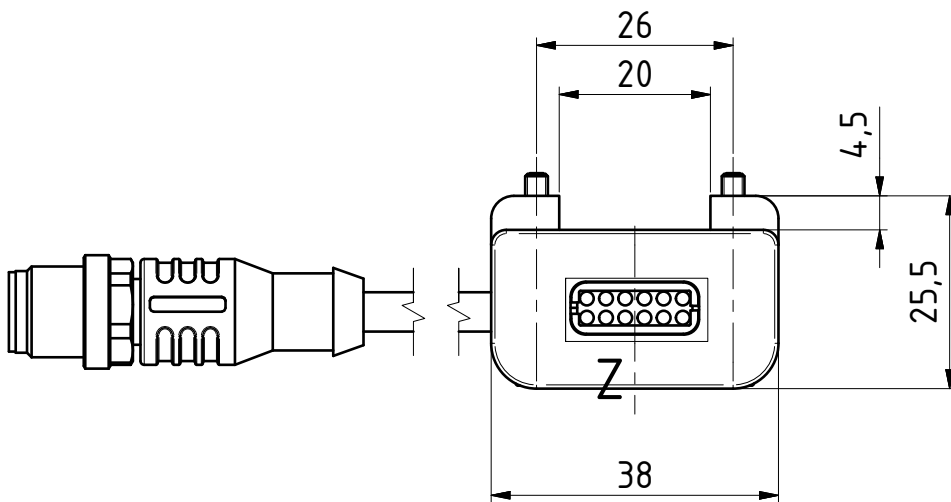
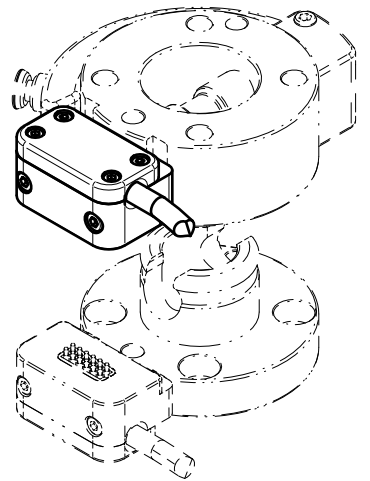
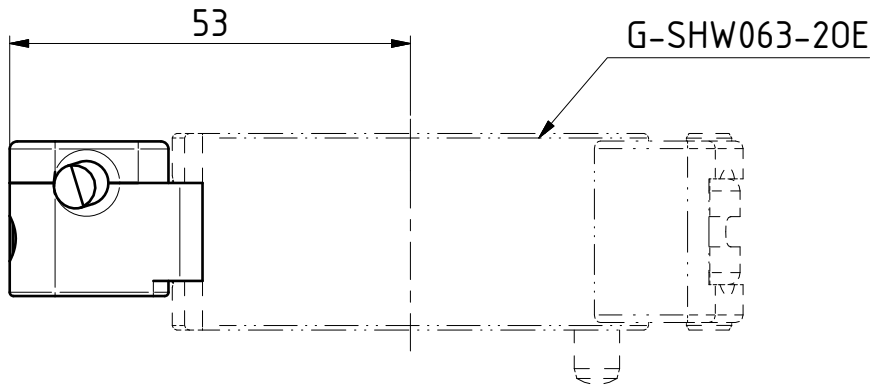


assignment		
FEB12	colour	M8 male
1	white	1
2	brown	2
3	green	3
4	yellow	4
5	grey	5
6	pink	6
7	blue	7
8	red	8
9	---	---
10	---	---
11	---	---
12	---	---

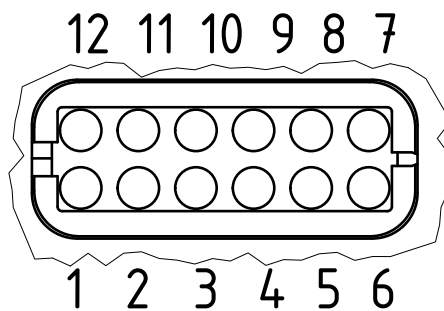
Datum 14.01.25 Maßstab 1 : 1

Zeichnungsnummer
G-SEK100-0-1FE12-300-M8-SW





Z
Contact strip
FEB12



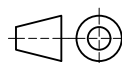
assignment		
FEB12	colour	M12 male
1	white	1
2	brown	2
3	green	3
4	yellow	4
5	grey	5
6	pink	6
7	blue	7
8	red	8
9	black	9
10	violett	10
11	grey/pink	11
12	blue/red	12

Datum 14.06.23

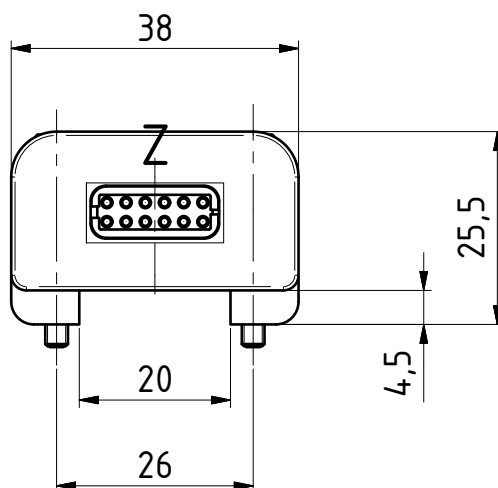
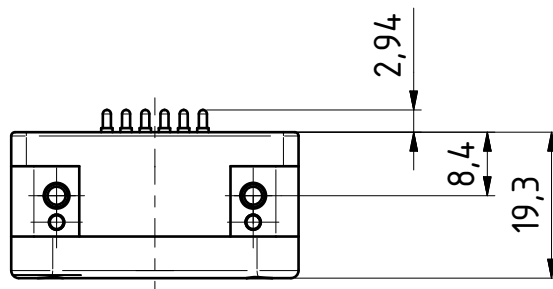
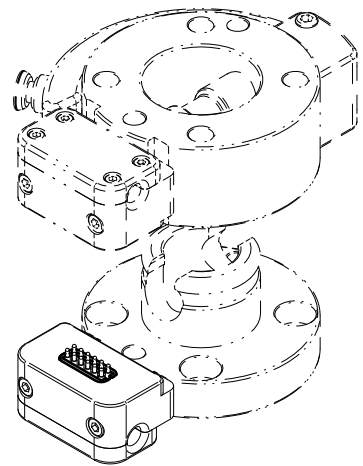
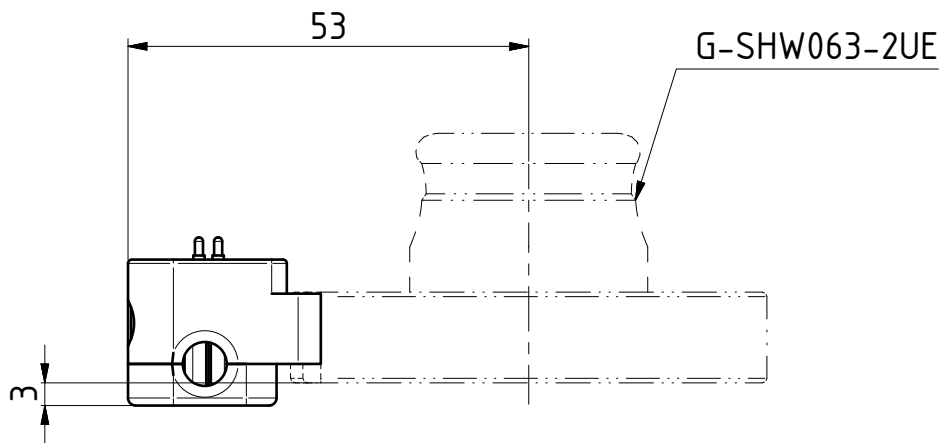
Maßstab 1 : 1

Zeichnungsnummer

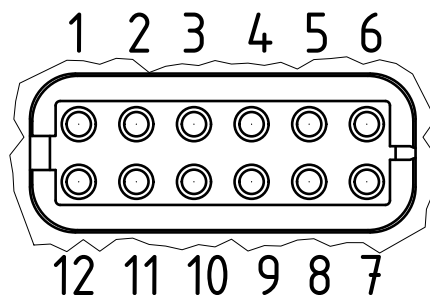
G-SEK100-0-1FE12-300-M12



GRIP
GRIP GmbH Handhabungstechnik



Z
 contact strip
 FES12

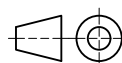


Datum 14.06.23

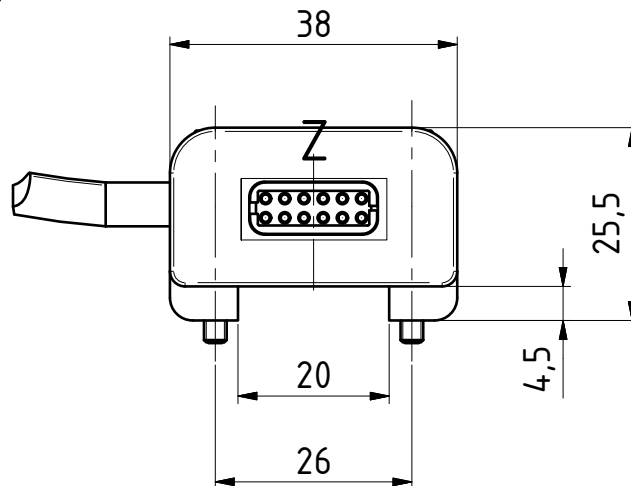
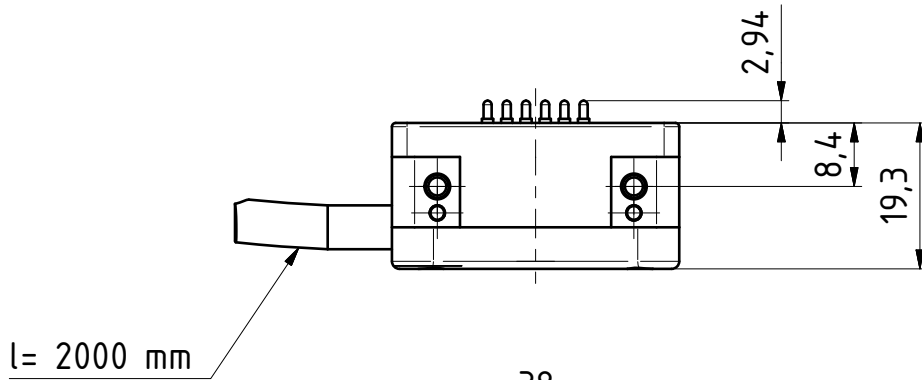
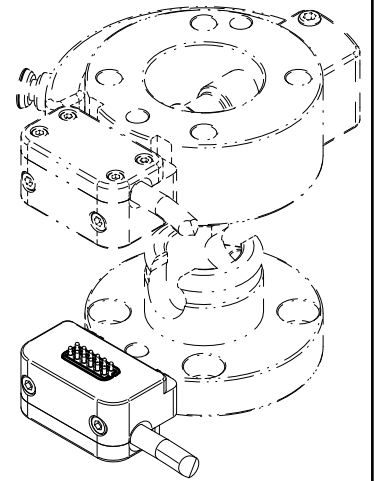
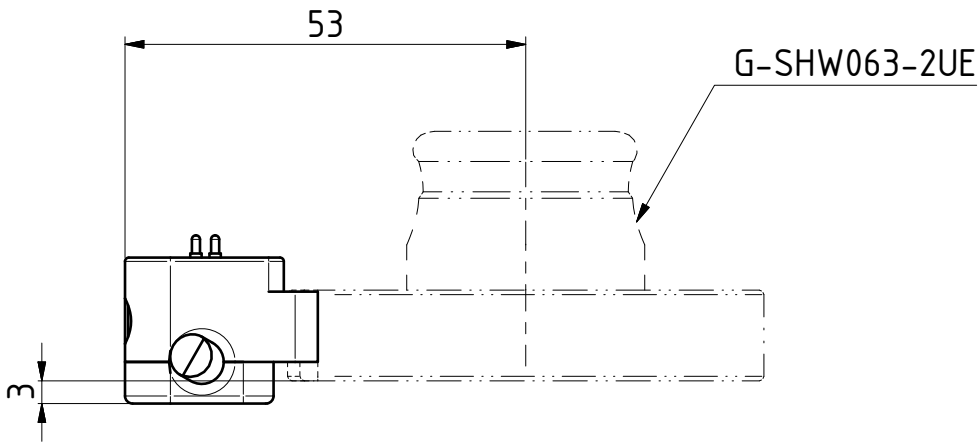
Maßstab 1 : 1

Zeichnungsnummer

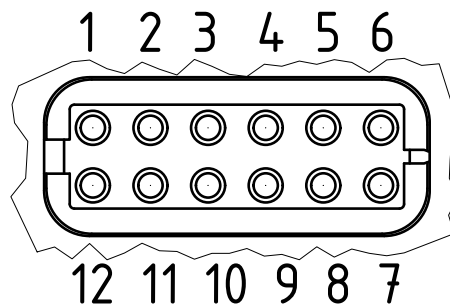
G-SEK100-U-1FE12



GRIP
 GRIP GmbH Handhabungstechnik



Z
contact strip
FES12



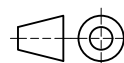
assignment	
1	white
2	brown
3	green
4	yellow
5	grey
6	pink
7	blue
8	red
9	black
10	violett
11	grey/pink
12	blue/red

Datum 14.06.23

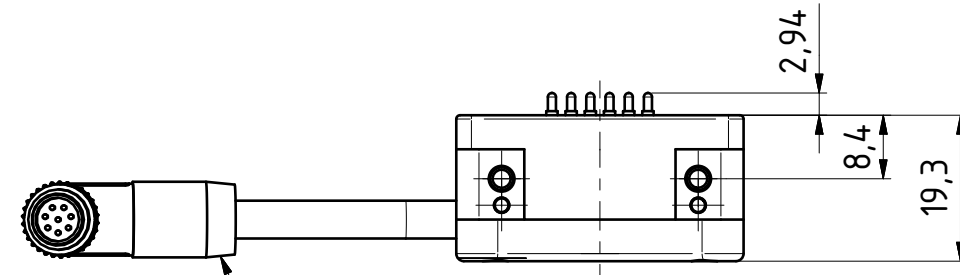
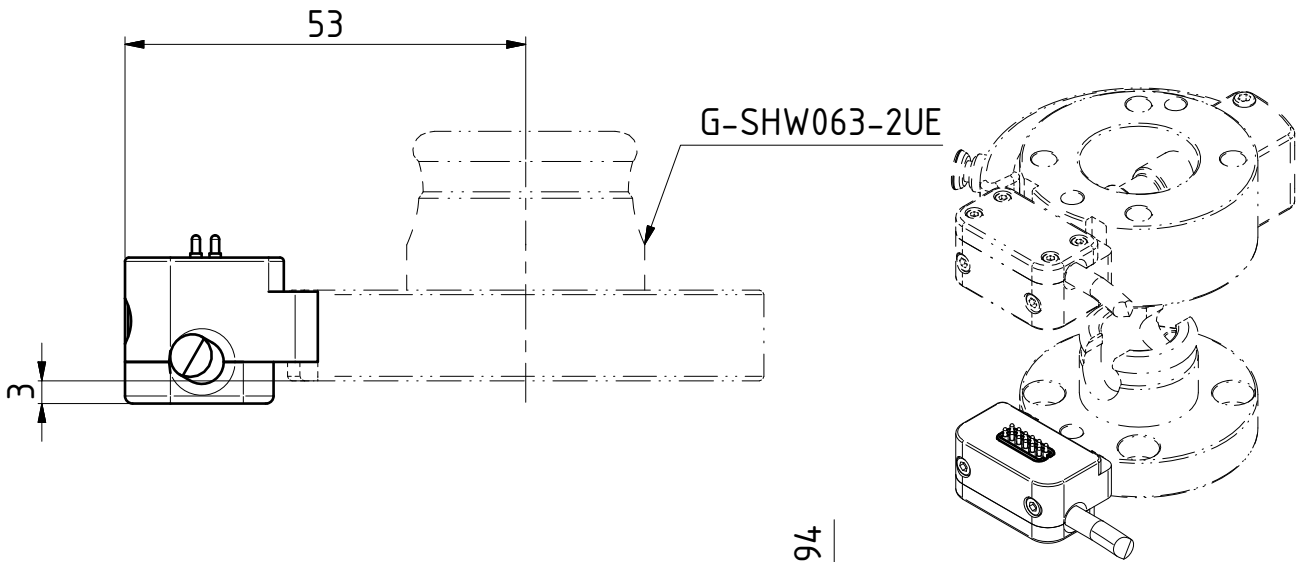
Maßstab 1 : 1

Zeichnungsnummer

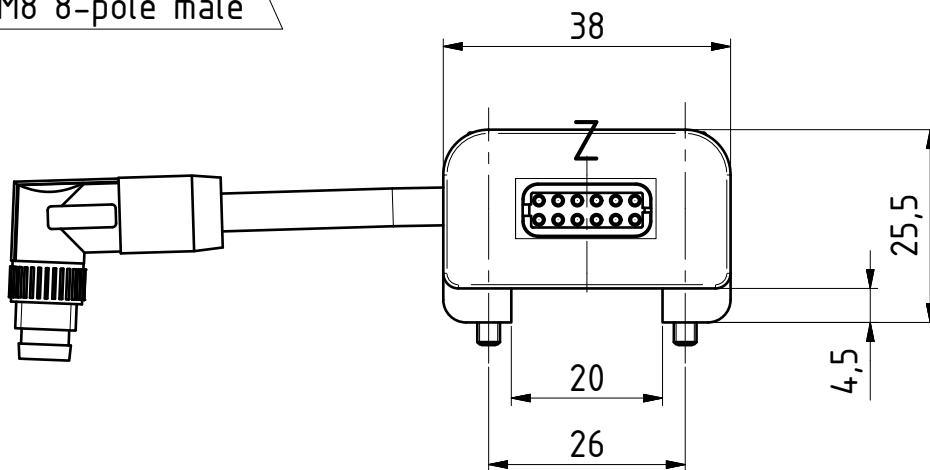
G-SEK100-U-1FE12-20000E



GRIP
GRIP GmbH Handhabungstechnik



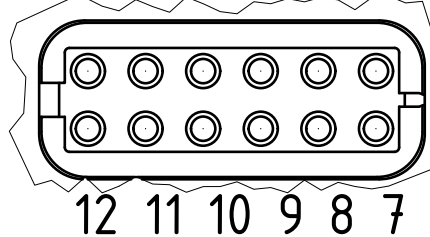
M8 8-pole male



Z
contact strip

FES12

1 2 3 4 5 6



assignment

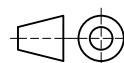
FES12	colour	M8 male
1	white	1
2	brown	2
3	green	3
4	yellow	4
5	grey	5
6	pink	6
7	blue	7
8	red	8
9	---	---
10	---	---
11	---	---
12	---	---

Datum 14.06.23

Maßstab 1 : 1

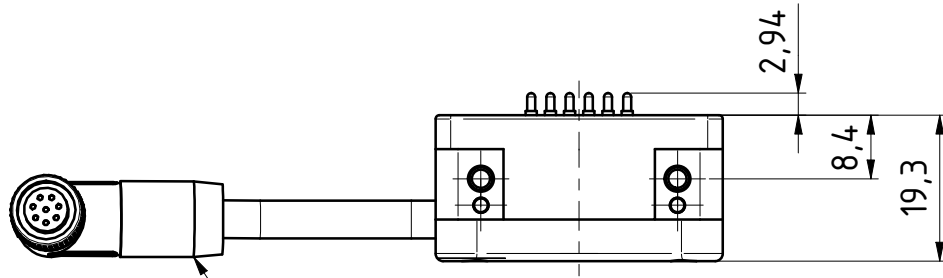
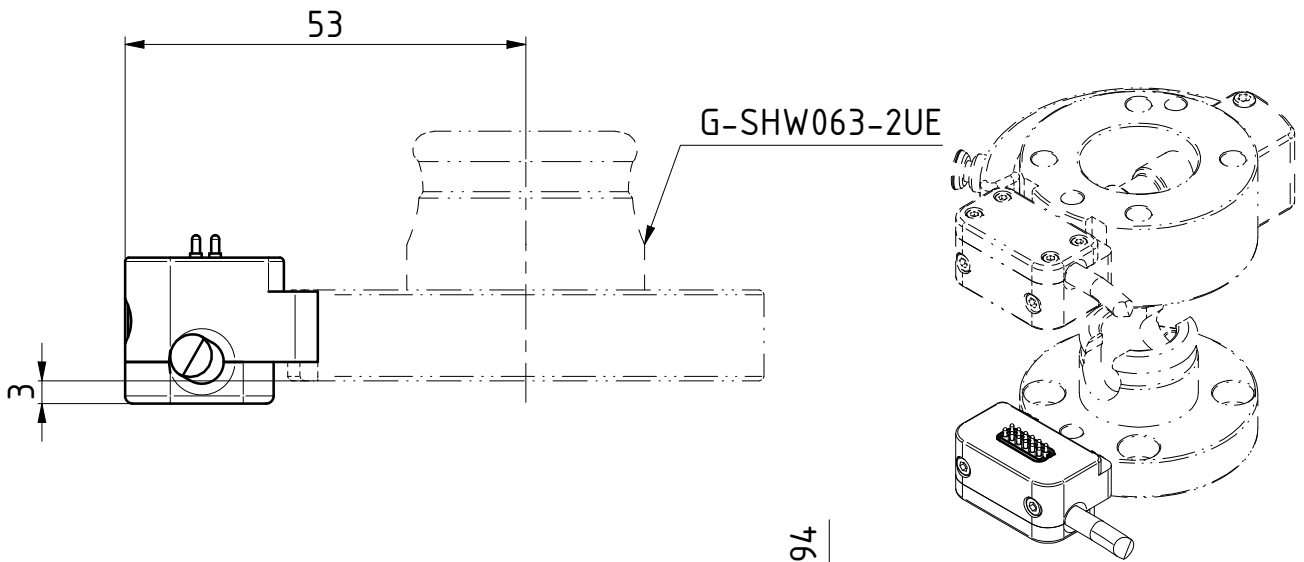
Zeichnungsnummer

G-SEK100-U-1FE12-40-M8

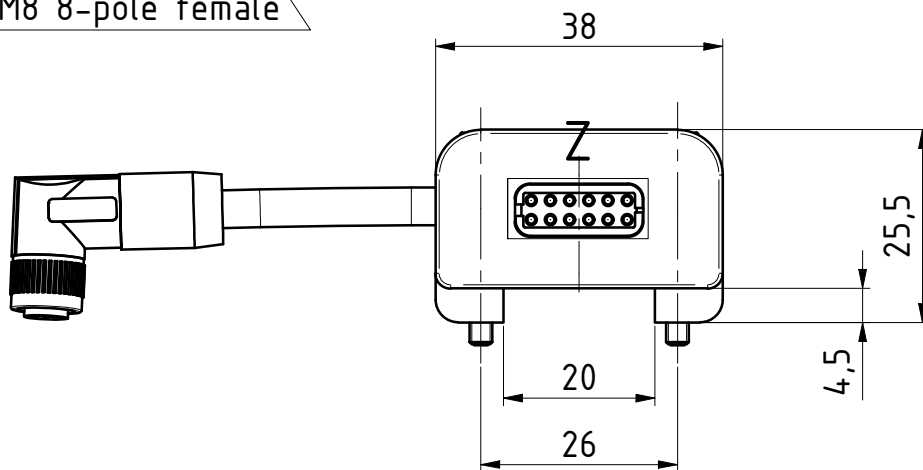


GRIP

GRIP GmbH Handhabungstechnik



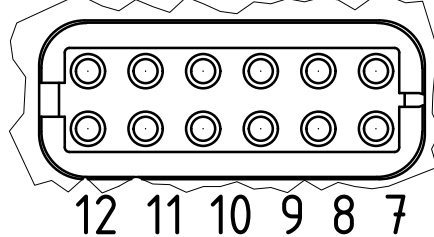
M8 8-pole female



Z
contact strip

FES12

1 2 3 4 5 6



assignment

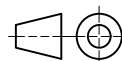
FES12	colour	M8 female
1	white	1
2	brown	2
3	green	3
4	yellow	4
5	grey	5
6	pink	6
7	blue	7
8	red	8
9	---	---
10	---	---
11	---	---
12	---	---

Datum 14.01.25

Maßstab 1 : 1

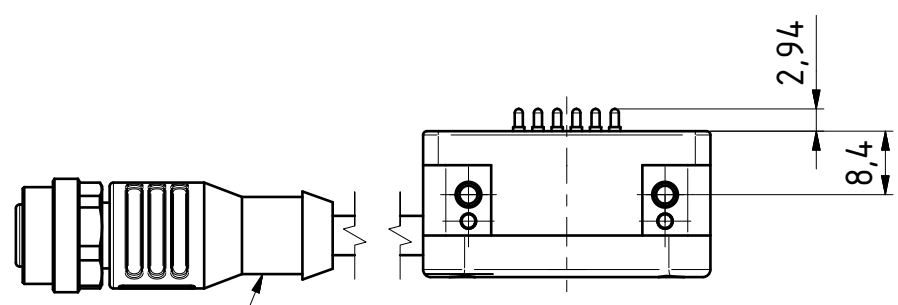
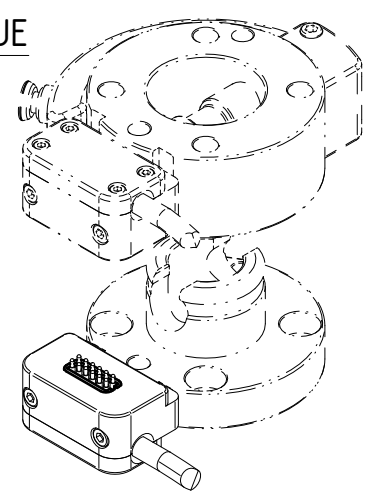
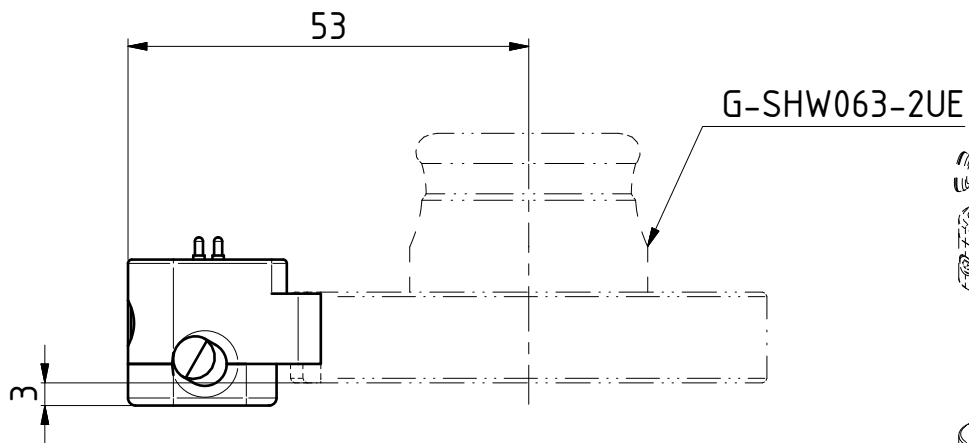
Zeichnungsnummer

G-SEK100-U-1FE12-40-M8-BW

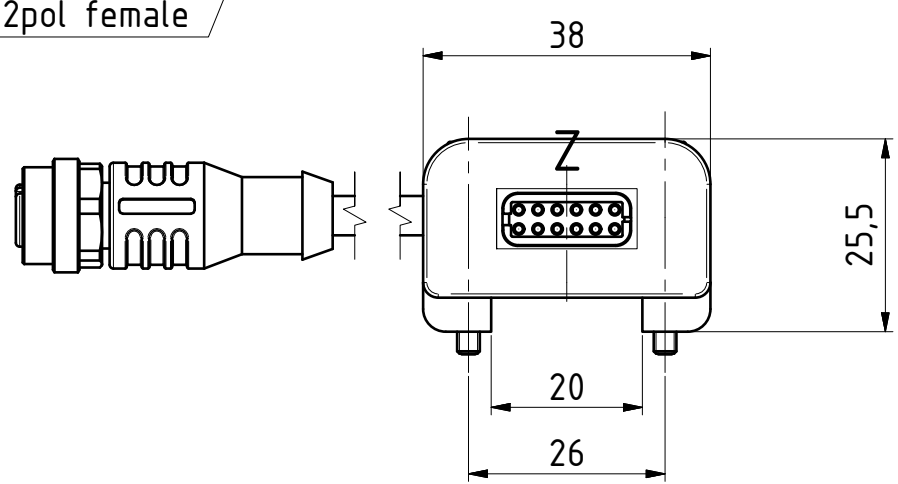


GRIP

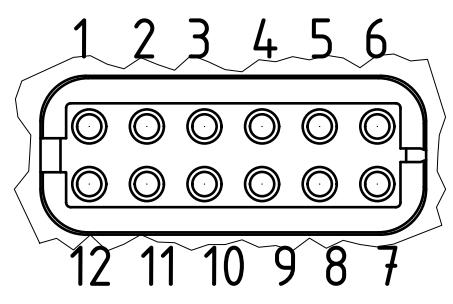
GRIP GmbH Handhabungstechnik



M12 12pol female



Z
contact strip
FES12



assignment		
FES12	colour	M12 fem.
1	white	1
2	brown	2
3	green	3
4	yellow	4
5	grey	5
6	pink	6
7	blue	7
8	red	8
9	black	9
10	violett	10
11	grey/pink	11
12	blue/red	12

Datum 14.06.23 Maßstab 1 : 1

Zeichnungsnummer
G-SEK100-U-1FE12-300-M12

