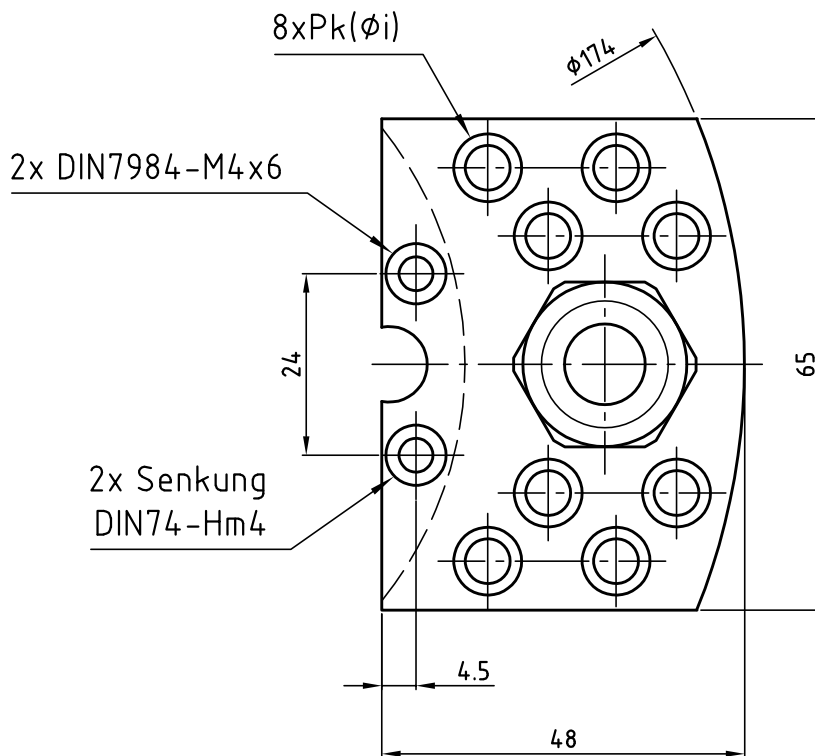
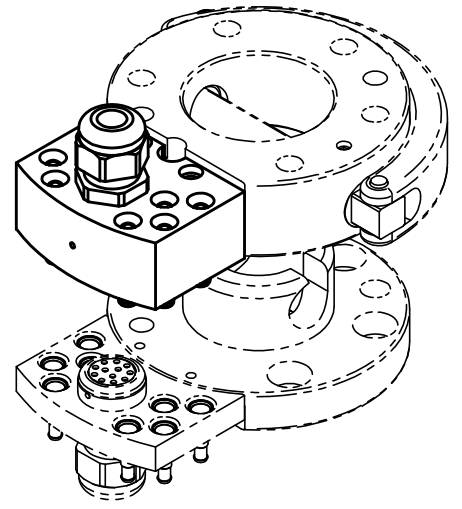
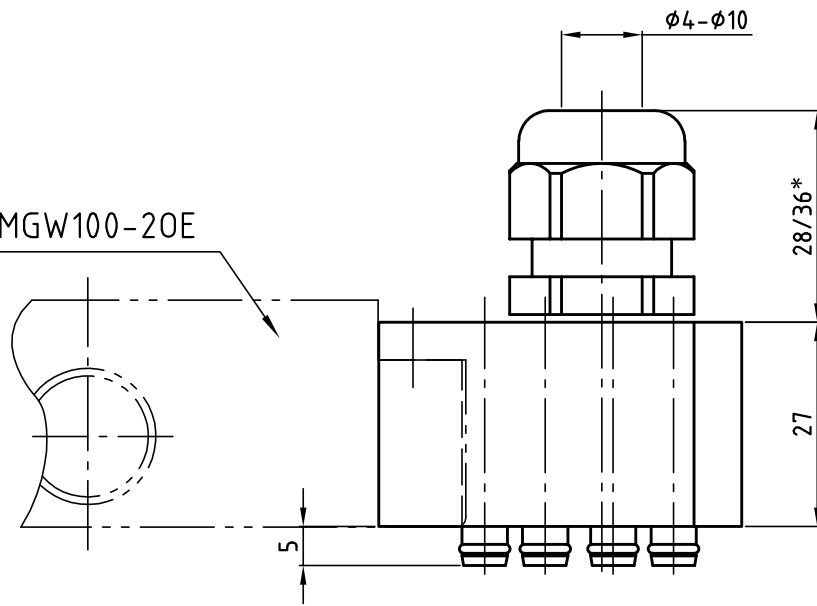


MGW100-20E



Bestellnummer Oberteil

G-MEK100-O-8Pk2-1E12
G-MEK100-O-8Pk3-1E12
G-MEK100-O-8Pk4-1E12

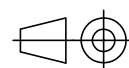
G-MEK100-O-8Pk2-1E6-C*
G-MEK100-O-8Pk3-1E6-C*
G-MEK100-O-8Pk4-1E6-C*

Datum 10.11.2016

Maßstab 1:1

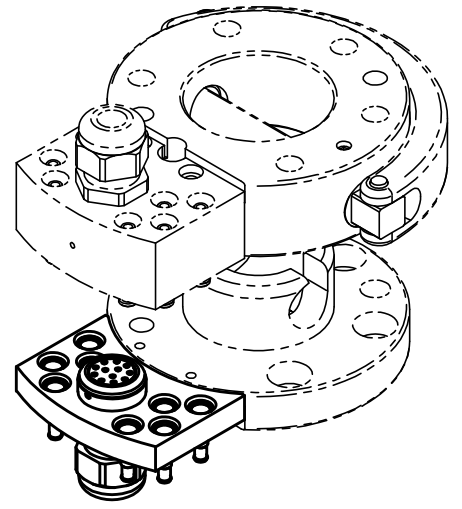
Zeichnungsnummer

G-MEK100-O-8P-1E

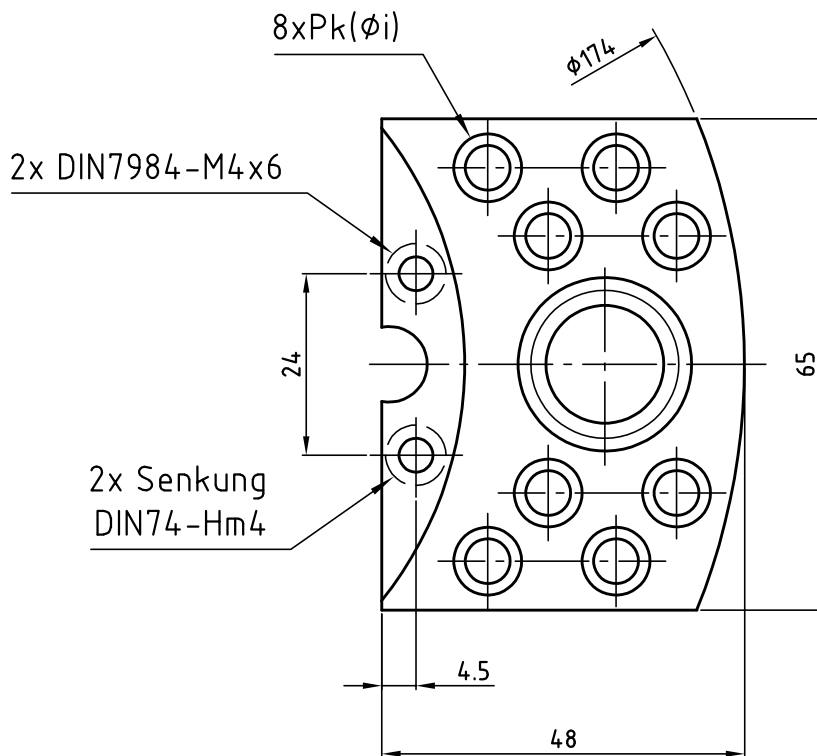
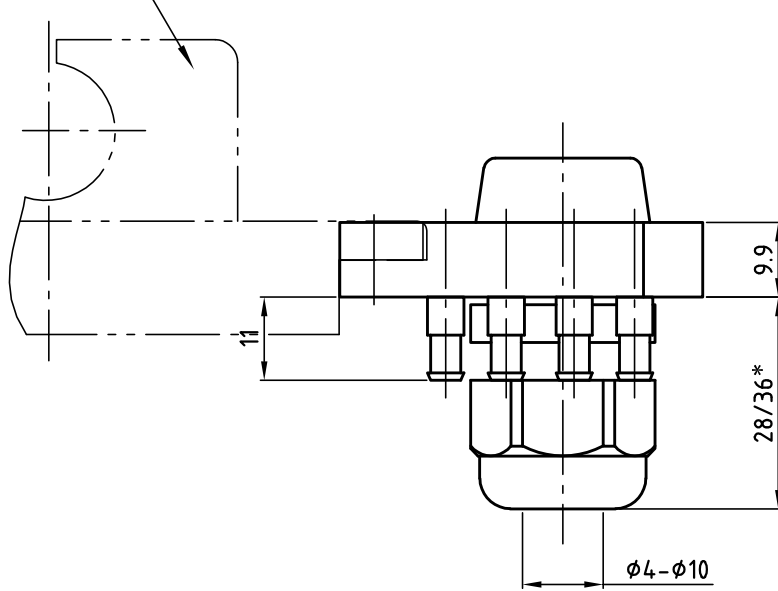


GRIP

GRIP GmbH Handhabungstechnik



MGW100-2UE



Bestellnummer Unterteil

G-MEK100-U-8Pk2-1E12
 G-MEK100-U-8Pk3-1E12
 G-MEK100-U-8Pk4-1E12

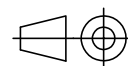
G-MEK100-U-8Pk2-1E6-C*
 G-MEK100-U-8Pk3-1E6-C*
 G-MEK100-U-8Pk4-1E6-C*

Datum 10.11.2016

Maßstab 1:1

Zeichnungsnummer

G-MEK100-U-8P-1E



GRIP

GRIP GmbH Handhabungstechnik